

**SPECIFICATIONS:**

- FREQUENCY: . . . . . 0.5 GHz TO 18 GHz
- INSERTION LOSS: . . . . . REFLECTIVE: 2.75db  
ABSORPTIVE: 3.75db
- ISOLATION: . . . . . 0.5 GHz TO 2 GHz: 60db  
2 GHz TO 18 GHz: 70db
- VSWR: . . . . . REFLECTIVE IN/OUT: 2.0:1  
ABSORPTIVE IN/OUT: 2.0:1  
ABSORPTIVE OUT/OFF: 2.0:1
- SPEED: . . . . . RISE: 10ns TYPICAL, 15ns MAX.  
FALL: 10ns TYPICAL, 15ns MAX.  
DELAY ON: 75ns TYPICAL, 100ns MAX.  
DELAY OFF: 75ns TYPICAL, 100ns MAX.
- POWER INPUT: . . . . . (CW)+20dBm (STANDARD), +10 dBm (HIGH SPEED)
- SURVIVAL POWER: . . . . . 1 WATT CW, 10 WATTS PEAK 1 usec
- CONTROL: . . . . . TTL LOGIC "0"=ON "1"=OFF
- POWER SUPPLY: . . . . . +5V @ 150 mA MAX.  
-5V @ 75mA MAX.(REFLECTIVE)  
100mA MAX.(ABSORPTIVE/NON-REFLECTIVE)

**OPTIONS:**

- INDEPENDENT CONTROL WITH SOLDER PIN STANDARD
- DEC-SP . . . . . 2 BIT DECODER WITH SOLDER PIN
- 10M18 . . . . . 10 MHz TO 18 GHz (INSERTION LOSS INCREASES BY 1.5db AT 10 MHz AND 0.5db AT 18 GHz)
- 100M18 . . . . . 100 MHz TO 18 GHz (INSERTION LOSS INCREASES BY 1.5db AT 100 MHz AND 0.5db AT 18 GHz)
- 118 . . . . . 1 GHz TO 18 GHz (NO CHANGE IN INSERTION LOSS)
- 218 . . . . . 2 GHz TO 18 GHz (NO CHANGE IN INSERTION LOSS)
- 412 . . . . . 4 GHz TO 12.4 GHz (NO CHANGE IN INSERTION LOSS)
- 618 . . . . . 6 GHz TO 18 GHz (NO CHANGE IN INSERTION LOSS)
- 1218 . . . . . 12 GHz TO 18 GHz (NO CHANGE IN INSERTION LOSS)
- 100M20 . . . . . 100 MHz TO 20 GHz (INSERTION LOSS INCREASES BY 1.5db AT 100 MHz AND 1.0db AT 20 GHz)
- 220 . . . . . 2 GHz TO 20 GHz (INSERTION LOSS INCREASES BY 1.0db AT 20 GHz)
- 1020 . . . . . 10 GHz TO 20 GHz (INSERTION LOSS INCREASES BY 1.0db AT 20 GHz)
- B01 . . . . . -12V POWER SUPPLIES
- B02 . . . . . -15V POWER SUPPLIES
- B03 . . . . . REVERSE LOGIC "1"=ON "0"=OFF
- B04 . . . . . DRIVERLESS, CURRENT CONTROLLED
- B05 . . . . . HIGH SPEED, TURNON/TURNOFF 25 nsec MAXIMUM WHEN APPLICABLE
- B06 . . . . . HIGH POWER - SPECIFY CW POWER, PEAK POWER, PULSE WIDTH, DUTY CYCLE, RF FREQUENCY AND BANDWIDTH
- B07 . . . . . CUSTOM DESIGNED PRODUCT- SPECIFY INITIALS OF CUSTOMER
- B08 . . . . . LOW VIDEO TRANSIENTS - SPECIFY VIDEO BANDWIDTH
- B09 . . . . . LOW INSERTION LOSS VERSION
- B10 . . . . . HIGHER ISOLATION VERSION
- B11 . . . . . 0.40" THICK VERSION
- B12 . . . . . 0.70" THICK VERSION

**ENVIRONMENTAL RATINGS:**

- TEMPERATURE: . . . . . -55°C TO +85°C (OPERATING)  
-65°C TO +125°C (STORAGE)
- HUMIDITY: . . . . . MIL-STD-202F, METHOD 103B COND. B
- SHOCK: . . . . . MIL-STD-202F, METHOD 213B COND. B
- VIBRATION: . . . . . MIL-STD-202F, METHOD 204D COND. B
- ALTITUDE: . . . . . MIL-STD-202F, METHOD 105C COND. B
- TEMPERATURE CYCLE: . . . . . MIL-STD-202F, METHOD 107D COND. A

NOTE: THE ABOVE SPECIFICATIONS ARE SUBJECT TO CHANGE OR REVISION

ALL DIMENSIONS ARE IN INCHES  
TOLERANCES:

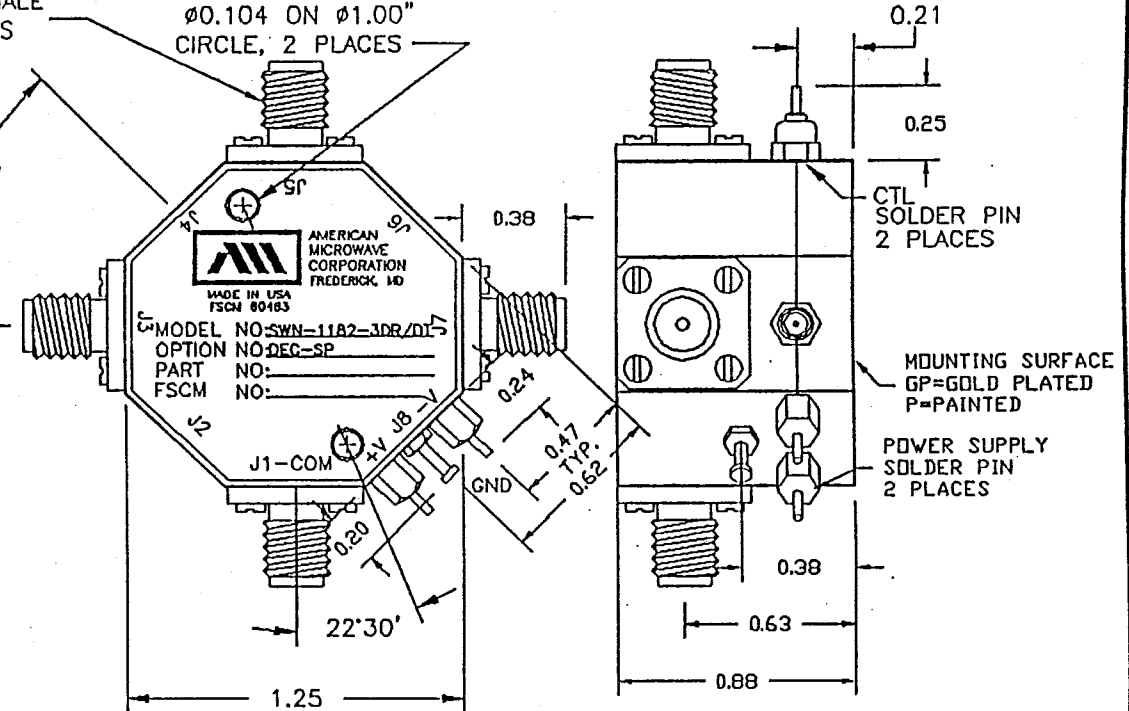
- X.XX ±0.020
- X.XXX ±0.010

ZONE		REV.	DESCRIPTION	DATE	APPROVED
		A	ORIGINAL RELEASE	8/11/97	

SMA FEMALE  
4 PLACES

Ø0.104 ON Ø1.00"  
CIRCLE, 2 PLACES

45°0'



NOTE:

- DR=WITH DRIVER, REFLECTIVE
- DT=WITH DRIVER, NON-REFLECTIVE/ABSORPTIVE

CONTRACT NO.		AMERICAN MICROWAVE CORPORATION FREDERICK, MARYLAND	
APPROVALS	DATE	TITLE OUTLINE DRAWING	
DRAWN WSP	8/11/97	SWN-1182-3DR/DT-DEC-SP REFLECTIVE OR NON-REFLECTIVE/ABSORPTIVE RADIAL SOLID STATE SWITCH	
CHECKED C. J. [Signature]	11/7/97	SIZE A	FSCM NO. 60483
ISSUED		DWG NO. 100-4181-2	REV. A
SCALE N/S		SHEET 1 of 1	